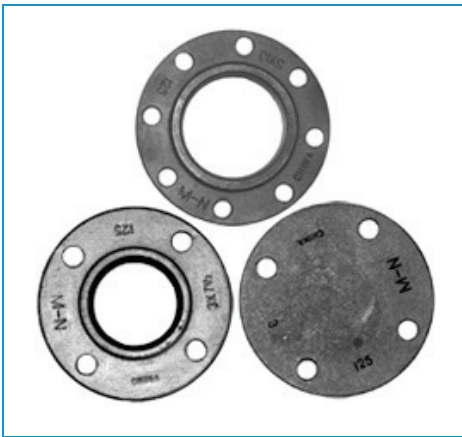


Cast Iron Companion, Reducing & Blind Flanges

• Spec Sheet



FEATURES & BENEFITS

- Available in Black and Galvanized
- Companion sizes: 1-1/2" - 12"
- ASTM 126 Class B Cast Iron
- Reducing sizes: 3"x2" - 8"x6"
- ANSI Class 125 Flanges
- Blind sizes: 2" - 12"

APPLICATIONS: Waterworks, Pump & Well, Plumbing, Irrigation

COMPANION FLANGE DIMENSIONS

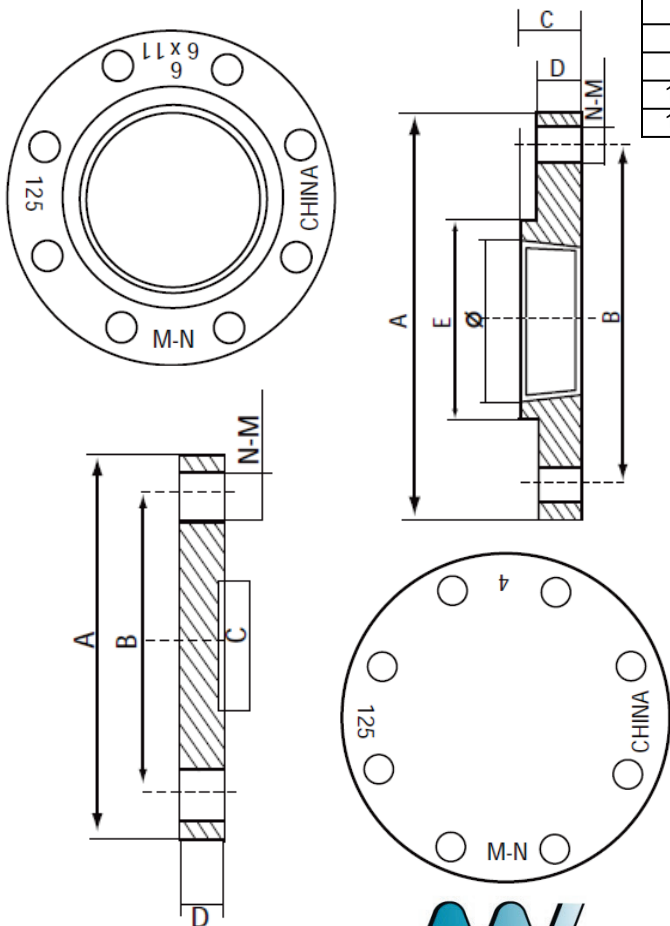
Size	Size x OD	A	B	C	D	E	Ø	M	N
1-1/2"	1-1/2" x 5"	5.00	3.88	0.88	0.56	2.56	1.89	0.63	4
2"	2" x 6"	6.00	4.75	1.00	0.62	3.06	2.36	0.75	4
2-1/2"	2-1/2" x 7"	7.00	5.50	1.12	0.69	3.56	2.87	0.75	4
3"	3" x 7-1/2"	7.50	6.00	1.19	0.75	4.25	3.39	0.75	4
3-1/2"	3-1/2" x 8-1/2"	8.50	7.00	1.25	0.81	4.81	3.86	0.75	8
4"	4" x 9"	9.00	7.50	1.31	0.94	5.31	4.41	0.75	8
5"	5" x 10"	10.00	8.50	1.44	0.94	6.44	5.43	0.89	8
6"	6" x 11"	11.00	9.50	1.56	1.00	7.56	6.42	0.89	8
8"	8" x 13-1/2"	13.50	11.75	1.75	1.12	9.69	8.43	0.89	8
10"	10" x 16"	16.00	14.25	1.94	1.19	11.94	10.43	1.00	12
12"	12" x 19"	19.00	17.00	2.19	1.25	14.06	12.40	1.00	12

REDUCING FLANGE DIMENSIONS

Size	Size x OD	A	B	C	D	E	Ø	M	N
3" x 2"	2" x 7-1/2"	7.50	6.00	1.00	0.75	3.06	2.36	0.75	4
4" x 2"	2" x 9"	9.00	7.50	1.00	0.94	3.06	2.36	0.75	8
4" x 3"	3" x 9"	9.00	7.50	1.19	0.94	4.25	3.39	0.75	8
5" x 4"	4" x 10"	10.00	8.50	1.31	0.94	5.31	4.41	0.89	8
6" x 2"	2" x 11"	11.00	9.50	1.00	1.00	3.06	2.36	0.89	8
6" x 3"	3" x 11"	11.00	9.50	1.18	1.00	4.25	3.39	0.89	8
6" x 4"	4" x 11"	11.00	9.50	1.31	1.00	5.31	4.41	0.89	8
6" x 5"	5" x 11"	11.00	9.50	1.44	1.00	6.44	5.43	0.89	8
8" x 2"	2" x 13-1/2"	13.50	11.75	1.00	1.12	3.06	2.36	0.89	8
8" x 3"	3" x 13-1/2"	13.50	11.75	1.19	1.12	4.25	3.39	0.89	8
8" x 4"	4" x 13-1/2"	13.50	11.75	1.31	1.12	5.31	4.41	0.89	8
8" x 5"	5" x 13-1/2"	13.50	11.75	1.44	1.12	6.44	5.43	0.89	8
8" x 6"	6" x 13-1/2"	13.50	11.75	1.56	1.12	7.56	6.42	0.89	8

BLIND FLANGE DIMENSIONS

Size	A	B	C	D	M	N
2"	6.00	4.75	2.00	0.62	0.75	4
2-1/2"	7.00	5.50	2.50	0.69	0.75	4
3"	7.50	6.00	3.00	0.75	0.75	4
4"	9.00	7.50	4.00	0.94	0.75	8
5"	10.00	8.50	5.00	0.94	0.89	8
6"	11.00	9.50	6.00	1.00	0.89	8
8"	13.50	11.75	8.00	1.12	0.89	8
10"	16.00	14.25	10.00	1.19	1.00	12
12"	19.00	17.00	12.00	1.25	1.00	12



MATCO-NORCA

Global sourcing. National compliance. Local service.