



Master Meter's Flexible Axis Meter boldly goes where few other meters can — and saves you money in the process. Ideal for residential applications, this accurate and quiet operating meter, fits challenging inside sets — under counters, between studs, along pipes run against walls. Regardless of pipe angle, our patented design ensures the measuring chamber can always be positioned horizontally for maximum performance and accuracy.

Retrofit without costly re-plumbing and discover submetering is a practical reality in locations where installation costs were previously thought to be cost-prohibitive.

#### Features & Benefits:

- 360° Angle Installation Flexibility
- Fits Tight Inside Space Challenges
- Flushing or Testing Plug Eliminates Need for Jumper Tubes
- Sustained Accuracy for Maximum Revenue Over Time
- Engineered for Efficient Flow Patterns with Minimal Head Loss
- Quiet Operation Ideal for Inside Residential Use
- Meets All Applicable AWWA Standards; Optional NSF-61 Certification
- AMR/AMI Capable

#### With Optional 3G Integrated Register:

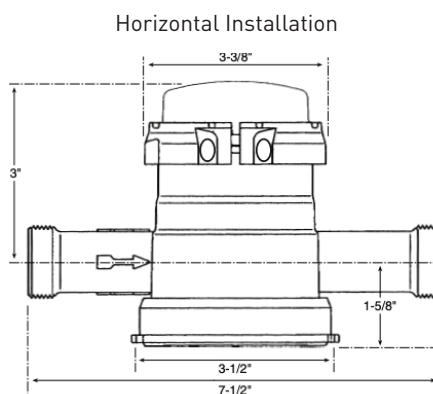
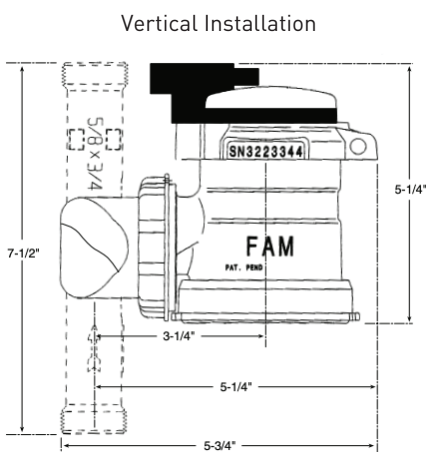
- Rich 4,000 Read Data Logging Capabilities (scalable / customer defined resolution)
- Revenue Impact Alerts - Leak, Tamper, Theft (backflow), and Zero Consumption
- Deploy District Metering Areas or Zones (DMA/DMZ) Advanced Infrastructure Leak Management Programs
- Supports Conservation Program Enforcement



**Technical Specs:**

- **AWWA Standard:** Meets or exceeds all sections of Standard ANSI/AWWA C708, most recent revision for cold water multi-jet meters with AWWA bronze main cases.
- **NSF/ANSI Standard 61:** Master Meter’s advanced polymer pressure vessel design is inherently free of any metallic compounds. Optional EnviroBrass unleaded main case available.
- **Design/Operation:** The flow tube provides a straight run of pipe upstream and downstream of the measuring element, conditioning flow for maximum accuracy. Installation flexibility allows the measuring chamber to always be positioned horizontally for high accuracy and long-life operation. A precision engineered measurement chamber and measuring elements deliver virtually noise-free operation critical for inside-set meters.
- **Flow Tube:** Polymer: Corrosion resistant lead-free construction consisting of proven tough, 40% glass-reinforced nylon rated polymer with burst resistance to 750 psi. Threaded and unthreaded meter coupling provides simple, effective installation options. EnviroBrass: Optional unleaded EnviroBrass Flow tubes are available.
- **Main Case:** The Flexible Axis Meter main case is constructed of lead-free, corrosion-resistant 50% glass-reinforced nylon.
- **Register:** Standard Direct Read, DIALOG 2G and DIALOG 3G AMR System registers are available. Six wheel odometers are standard. Optional 8-wheel resolution AccuLinx Absolute Encoder available. Together, an integrated and migratable technology environment is attained; direct, proximity (wand), mobile AMR, and Fixed Network AMI.
- **Register Sealing:** All Direct read and DIALOG® registers are IP-68 rated, permanently sealed with a scratch resistant glass lens, stainless steel base and wrap-around gasket to prevent intrusion of dirt or moisture.
- **Register Units:** Registration available in either U.S. gallons, cubic feet or cubic meters.
- **Magnetic Drive:** A reliable, direct magnetic drive provides linkage between measurement element and register. No intermediate gearing is required; no gearing is exposed to water.
- **Test Circle:** Large center sweep hand with one hundred (100) clearly marked gradations on the periphery of the dial face.
- **Low Flow/Leak Indicator:** All DIALOG and Direct Read registers have a Center mounted indicator with high sensitivity resulting from direct one-to-one linkage to the measuring element.

**Dimensions**

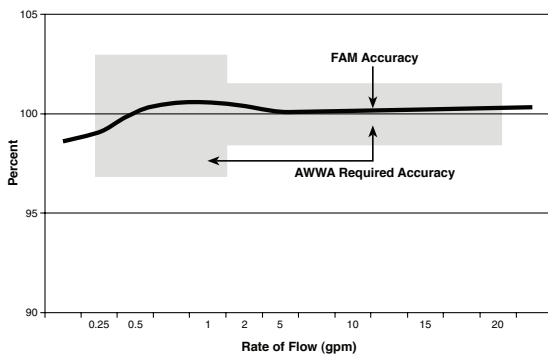




**Performance Data**

CHARACTERISTIC	Flexible Axis Meter 5/8" x 3/4"	AWWA C708 5/8" x 3/4"
Operating Capacity	20 gpm	20 gpm
Maximum Rate for Continuous Duty	15 gpm	10 gpm
Maximum Pressure Loss at Maximum Flow	10.9 psi	15 psi
Normal Flow Range (± 1-1/2%)	1 - 20 gpm	1 - 20 gpm
Maximum Flow (± 3%)	1/4 gpm	1/4 gpm
Maximum Working Pressure	150 psi	150 psi
Maximum Working Temperature	120° F	105° F
Meter Casing Spuds, Nominal Thread Size	1"	1"
Nominal Pipe Size	3/4"	3/4"
Weight	2.2 lbs.	Not Specified
Materials:	Glass-reinforced Nylon	Copper alloy, Minimum 75% copper
Main Case		
Measuring Chamber	Glass-reinforced Nylon	85% copper or engineered plastic
Register Construction	Glass lens stainless steel case, rubber gasket	Not Specified

**Accuracy Chart**



**Head Loss Chart**

