

Potable Cold Water Turbine Meter 3", 4", and 6"

- Meets or exceeds AWWA C701 Class II accuracy
- Remote ready, includes pit pulse
- Large numbers for easy reading
- Rated to 120° F and 200 psi
- 1 pulse = 100 USG or 10 CF (std)
- Epoxy coated Cast Iron body meets NSF 61 / 372 standards
- Glass lens resists scratching
- 1-year new meter accuracy warranty
- 5-year standard warranty for body, register, and accuracy (AWWA C701)



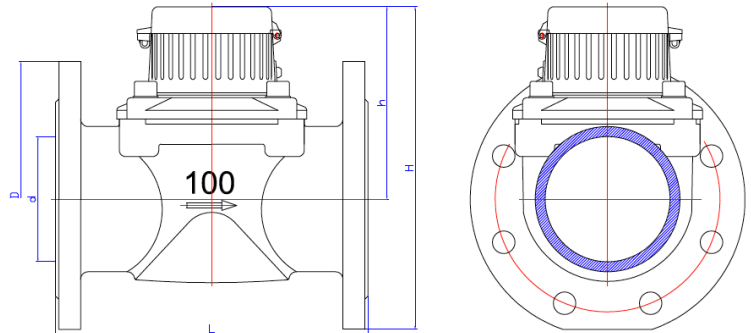
Applications - For use in measurement of potable cold water in commercial and industrial applications where flow is in one direction only. Ideal for high volume applications where space is cramped.

Main casing - The turbine main casing is made of Cast Iron with an epoxy coating that complies with NSF 61 / 372 standards and is labelled accordingly.

Register - The combined gear and register unit is fully sealed with a straight odometer for visual reading of billable units as well as a high-precision pointers for accurate testing by governing agencies. Both the register and pulse unit are pit rated to IP68 (NEMA 6). The serial number is clearly marked.

Measuring chamber - The measuring chamber and turbine element are constructed from durable engineered plastics and the meter has inlet straightening vanes along with stainless steel spindles for superior longevity.

Installation - It is highly recommended that a Z-plate strainer be used upstream of the meter for protection to the turbine impeller and to reduce effects of turbulence. Industry Standards recommend horizontal installation with 10 pipe diameters upstream of the meter (if a strainer is not used) and 5 pipe diameters downstream. The lack of a strainer may void the warranty of the Turbine meter. LF bronze companion flanges are available for all sizes.



Dimensions

Model #	Meter Size	d	L	D	H	h	D/2
TM3	3"	3.15	8.9	7.9	9.8	6.1	3.95
TM4	4"	3.9	9.8	8.7	10.2	6.1	4.35
TM6	6"	5.9	11.8	11.0	12.4	7.2	5.5

ALL DIMENSIONS IN INCHES

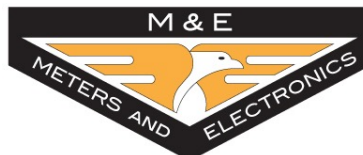
Characteristics

Model #	TM3	TM4	TM6
Meter Size	3"	4"	6"
Normal Operating Range +/- 1.5 % (GPM; CFM)	4 - 650 (0.53 - 86.9)	4.8 - 800 (0.48 - 106.9)	9.6 - 1600 (1.28 - 213.9)
Low Flow (GPM; CFM)	2.5 (0.33)	3 (0.40)	6 (0.80)
Maximum Continuous (GPM; CFM)	650 (86.9)	800 (106.9)	1600 (213.9)
Maximum Intermittent (GPM; CFM)	812 (108.5)	1000 (133.7)	2000 (267.4)
Maximum Pressure (PSI)	200	200	200
Maximum Temperature (F)	122	122	122
Length (in)	8.9	9.8	11.8
Overall Height (in)	9.8	10.2	12.5
Height, bottom to centre line (in)	3.95	4.35	5.5
Width (in)	7.9	8.7	11.0
Weight (lbs)	29	33	69
Flange Holes (Round flange)	4	8	8
Register Capacity (millions USG; millions CF)	1000 (100)	1000 (100)	1000 (100)

Meters & Electronics

602 N 34th Street Tampa, FL 33605

(p) 216.513.3949



Due to continuous research and product enhancements, Meters & Electronics reserves the right to change product or system specifications without notice, except to the extent an outstanding contractual obligation exists.

for questions, inquiries, or to place an order:
sales@metersnelectronics.us.com
www.metersnelectronics.us.com