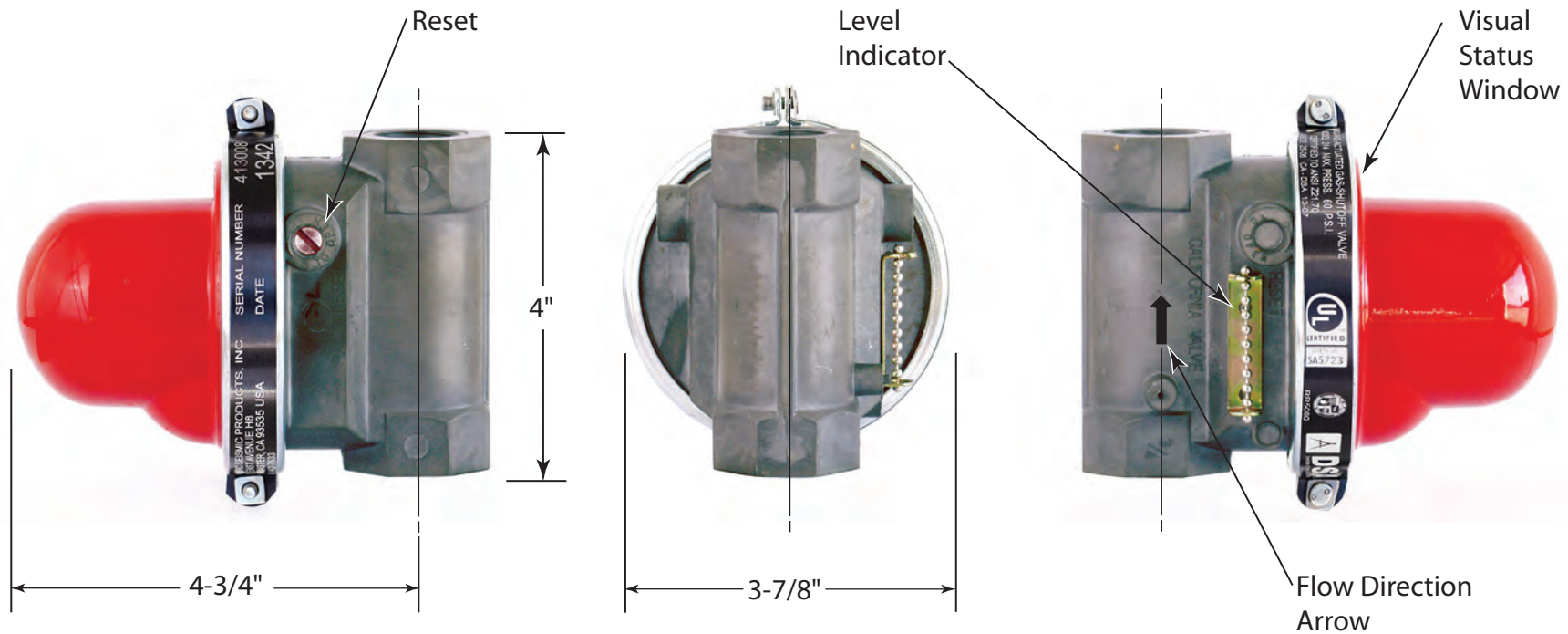


Specifications: Model VB-310(60) NPT Valve

Vertical - Bottom In Flow



Valve Model#	CA-DSA No.	Length	Height	Width	Nominal Pipe Size	Threads Per Inch	APPLICATION DATA	
							Max. Pressure	Fuel
VB-310	13-40	4-3/4"	4"	3-7/8"	3/4"	14	60 psi	Dry Fuel Gas

California Seismic Valves are UL listed in the USA. Certified by the California State Architect's Office, Approved by the City of Los Angeles, and are warranted free of manufacturer's defects for 30 years. All valves meet California Standards for Earthquake Actuated Automatic Gas Shut off Systems, Standard No. 12-12-1, ANSI Z21.21, 2012 and ASCE 25-06 Standards.

Pacific Seismic Products
 233 East Avenue H-8 • Lancaster, CA 93535 • USA

Tel (661) 942-4499
 Fax (661) 942-0999
 TF (800) 4-GAS-OFF
www.4GasOff.net

